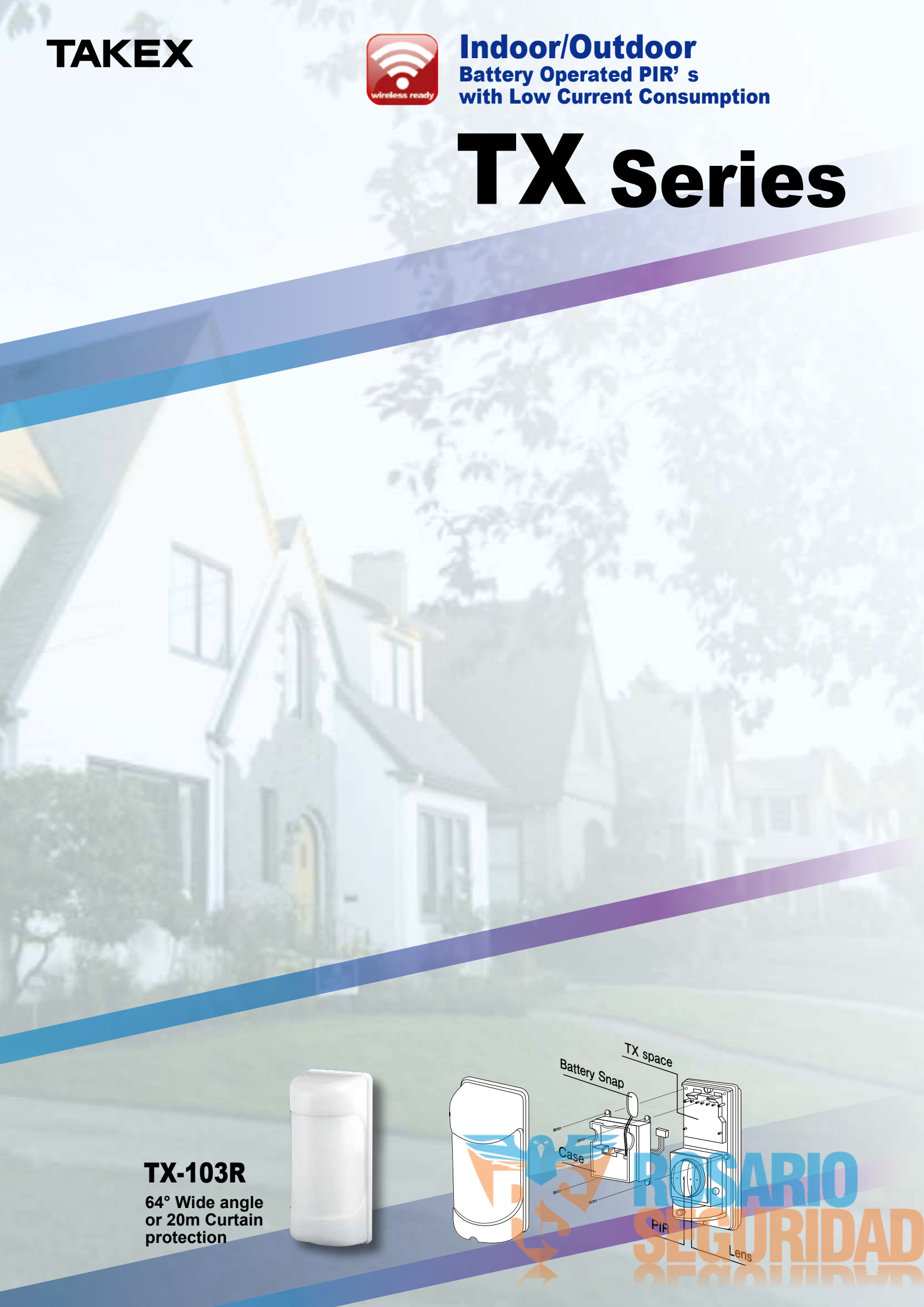


TAKEX



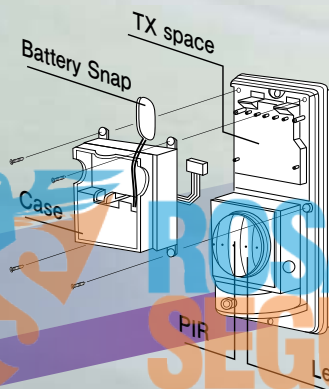
**Indoor/Outdoor
Battery Operated PIR' s
with Low Current Consumption**

TX Series



TX-103R

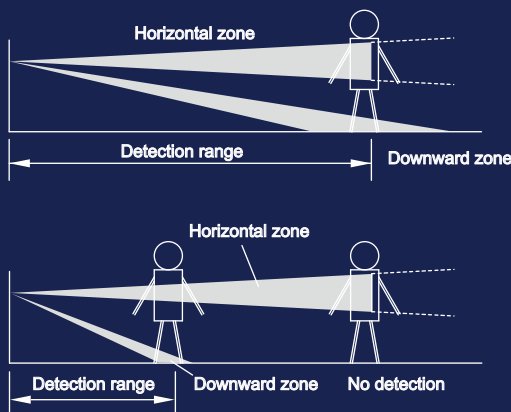
64° Wide angle
or 20m Curtain
protection



**ALVARIO
SEGURIDAD**

DETECTION DISTANCE ADJUSTMENT

Detection distance can be adjusted within a range from 10' (3m) to 40' (12m) by turning the angle of downward zone vertically.



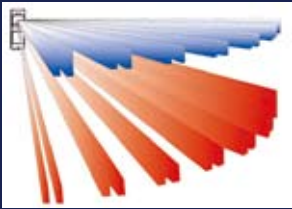
DETECTION AREA

The detection zone of this unit consists of a horizontal zone and downward zone. Alarm signal is issued only when both detection zones detect objects. Detection distance can be set by adjusting the angle of downward zone.

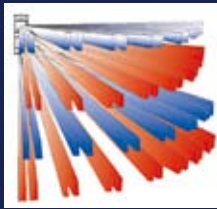
TX-114TR is equipped with 1set of sensors on the upper side.
TX-114FR is equipped with 2sets of sensors on the upper and lower side, making it possible to select AND mode or OR mode.

- A. Alarm signal is issued only when both horizontal and downward zone detect objects.
- B. It does not detect small animals which are not likely to reach the height of horizontal zone.
- C. It does not detect vehicles moving in the area outside the range of the downward zone.

TX-114TR



TX-114FR (And Function)

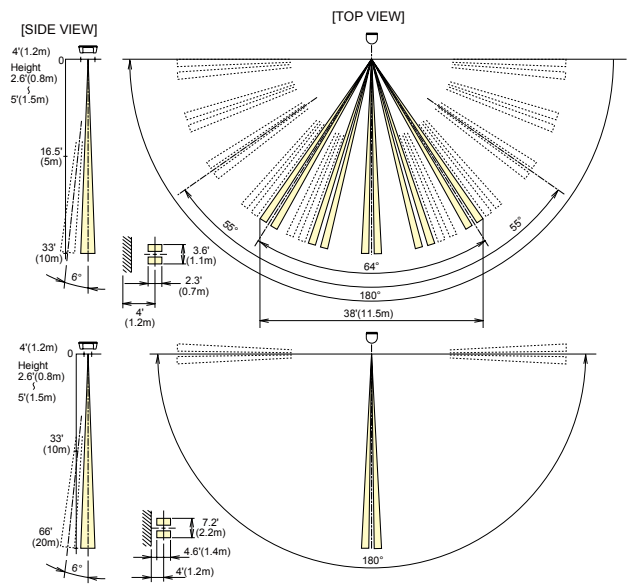


TX-114FR (Or Function)

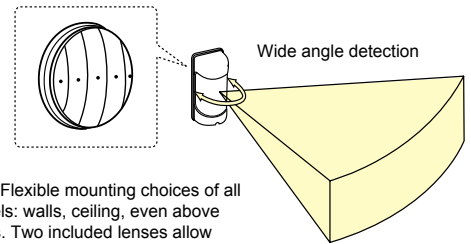


TX-103R

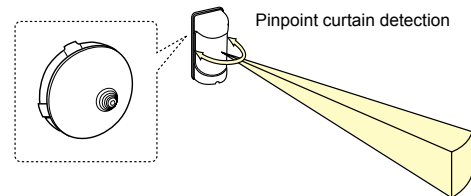
PIR



COVERAGE PATTERN



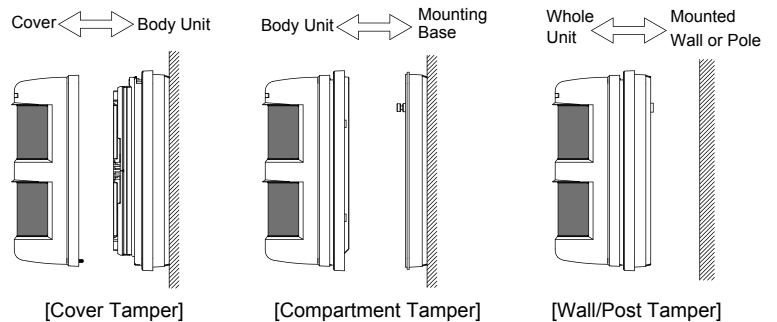
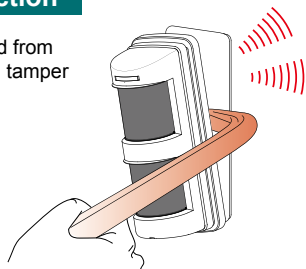
Most Flexible mounting choices of all models: walls, ceiling, even above doors. Two included lenses allow choices between Four distinct detection patterns.



Triple Tamper Protection

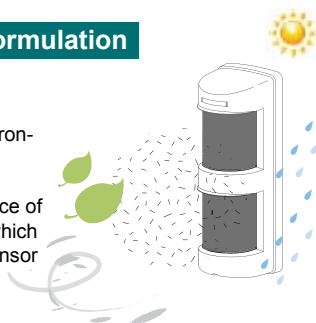
Cover removed or sensor pryed from mounting location will generate tamper alarm.

(Only TX-114TR / FR)



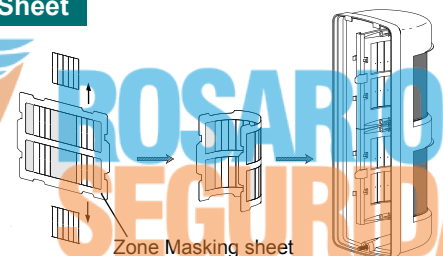
Proprietary Polymer Formulation

Rated to IP54, Takex engineered Polymer materials, seal out and withstand the effects of harsh environmental conditions. Takex outdoor devices are designed for years of reliable use, with negligible evidence of sun and environmental damage, which can affect long term plastic and sensor viability.



Zone Masking Sheet

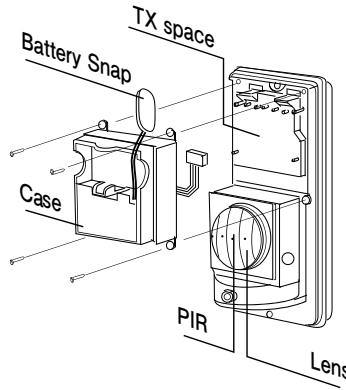
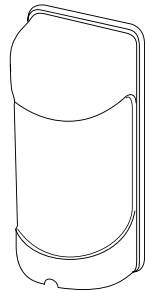
Customize coverage or mask unwanted zones easily, with the included zone masking sheet.



Zone Masking sheet

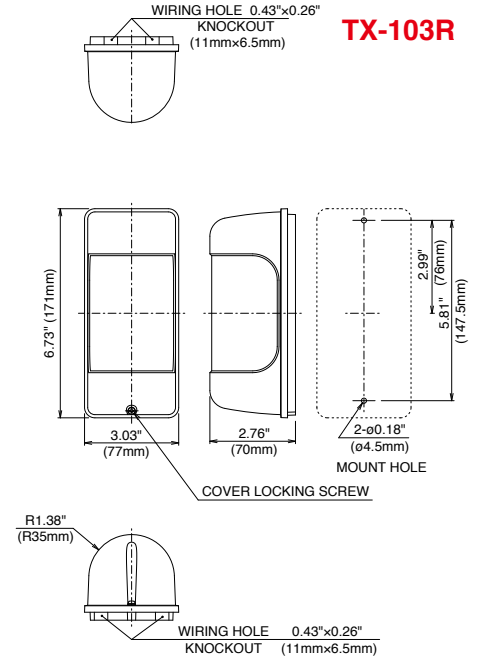
ROSARIO SEGURIDAD

EXTERNAL DIMENSIONS



TX-103R

64° Wide angle
or 20m Curtain
protection



SPECIFICATIONS

Model	TX-114FR	TX-114TR	TX-114SR	TX-103R
Detection system	Passive infrared			
Coverage	Two discrete head Dual PIRs •When horizontal detection Angle: 90° •Detection distance: 40'(12m) •Horizontal zone: 7 zones •Downward zone: 7 zones	Single head Dual PIRs •When horizontal detection Angle: 90° •Detection distance: 40'(12m) •Horizontal zone: 7 zones •Downward zone: 7 zones		Vertical Installation •Wide Angle [Max. 10m(33')] •Curtain [Max. 10m(33')] •Long Range [Max. 20m(66')] Horizontal Installation •Vertical Curtain [Max. 3m(10')]
Coverage adjustment	Horizontal: 90 degrees Detection distance: 10' to 40' (3m to 12m) (Adjustable by changing the vertical angle of downward curtain)			Vertical Installation : Horizontal 180° : Downward 6° Horizontal Installation : Ceiling 60° : Wall 30°
Supply power	3V to 9VDC Alkaline or Lithium Battery			9V DC Alkaline or Lithium Battery
Operation voltage	2.3V to 10VDC			5V to 10VDC
Current consumption	35µA	25µA		30µA(stand-by) 5mA(detection LED enable)
Operation	Solid State Switch N.C./N.O. selectable 10VDC · 0.01A Max • Alarm output One shot output when detecting human beings (approx. 2sec) • Tamper output Real time output · when the cover is detached from the unit · when the unit is detached from the installed wall or pole. · when compartment is separated from Back plate • Trouble output Real time output when the unit suffers functional trouble. (from terminal of Alarm)	Solid State Switch N.C./N.O. selectable 10VDC · 0.01A Max • Alarm output (Blue wires) One shot output when detecting human beings (approx. 2sec) • Tamper output (Green wires) Real time output · when the cover is detached from the unit • Trouble output Real time output when the unit suffers functional trouble. (from wire of Alarm)		CMOS output driven by 2V regulator • Alarm signal •Wire color : Yellow •When detection occurs : See the bottom for output signal pattern •When the unit suffers functional trouble : Real time output • Low battery signal •Wire color : Green •When the cover is detached from the unit : Real time output
Operation LED	Red LED •Blinking for approx. 1min at warming-up •Lighting for 1sec at detection during walk-test (LED lights only in a test-mode) •Blinking when trouble alarm is issued (Lights once every 5 sec)			Red LED •Light at detection
Sensitivity adjustment	Approx. 30% to 170% (by rotary switch)			•Approx.30% to 170%
Pulse count	Once/Three times selectable (by dip switch)			—
Alarm prohibition time	10sec/120sec/300sec/900sec selectable (by dip switches)			Less/60sec selectable (by switch)
Detection mode	AND/OR selectable	—	—	—
Ambient temperature	-4°F to +122°F (-20°C to +50°C)			
Mounting position	Indoor/Outdoor [Wall or Pole]			Vertical Installation ·Indoor/Outdoor Horizontal Installation ·Indoor
Weight	20oz (620g)	18oz (560g)	14.1oz (400g)	7.7oz (220g)
Appearance	Body: AES resin Lens: PE resin			Cover:PE resin(white) Body:AES resin(white)
Accessories	Pole attachment: 2sets Area masking sheet	Mounting screw: 2pcs 9VDC battery harness : 1pc	Adhesive sheet: 1pc B.T.Killer:1pc	Adhesive sheet: 1pc Mounting screw: 2pcs Battery holder: 1pc Area masking sheet: 1pc
Optional	Dual CR-123 Battery Holder (parallel)		Wall mount attachment (BW-24) Pole attachment (BP-22)	Pole cover(BP-11), Wall mount attachment(BW-14), Magnetic sheet(BR-M5), Pole attachment(BP-12)

